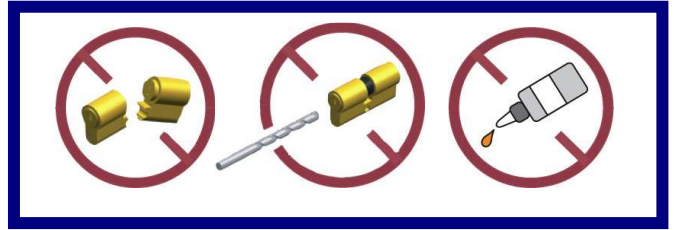


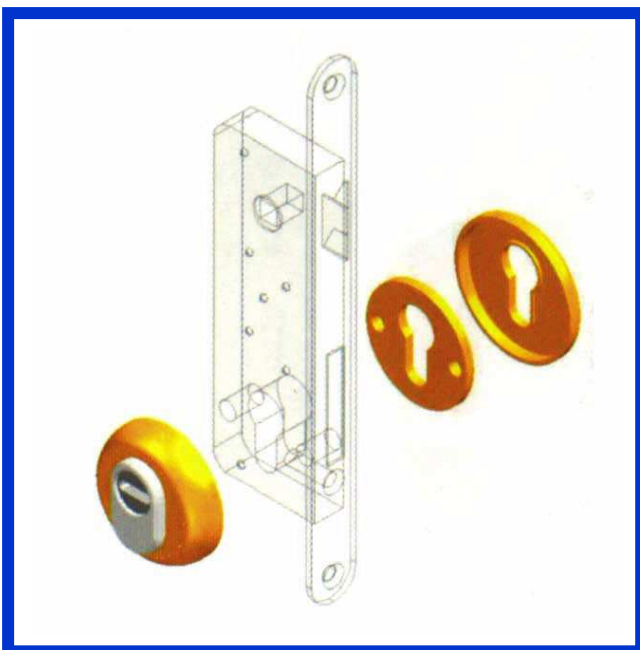
JEFLOCK Ltd.

EURO SECURITY ESCUTCHEON SET



The escutcheon set is designed to increase the attack resistance of a Euro cylinder Grade to the latest European Standard EN1303:2005 & to prevent the illegal damage and removal of Euro cylinders.

comprising of an external security escutcheon with a security spinner shroud, bolted to the door by machine screws through the door & secured through the base plate of the inside escutcheon



Security side body hardened steel with steel rotor
Diameter 50x13mm

Adjustable rotor sprung to suit cylinder projection
from the door between 8mm & 13mm

Keyway in rotor 3.5mm wide to suit most key blanks

Inner base plate & cover plate 50x10mm non secure
side with euro cylinder hole to enable double cylinder
or cylinder & thumb turn

Machine screws 2 x M6x70mm

Finishes:

Polished Brass plated	Brass
Polished Chrome plated	CP
Satin Chrome plated	SCP
Satin Nickel plated	SNP